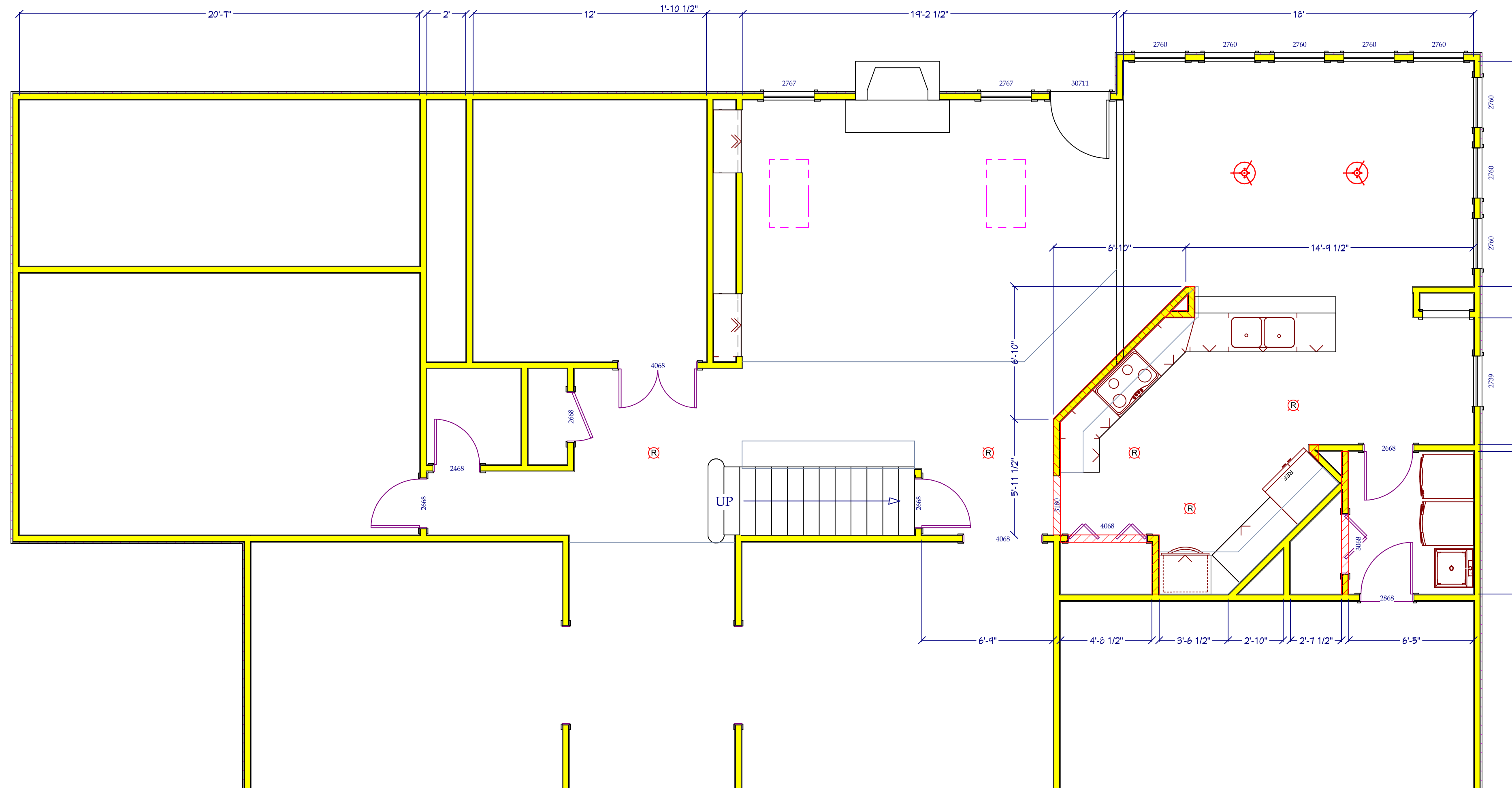
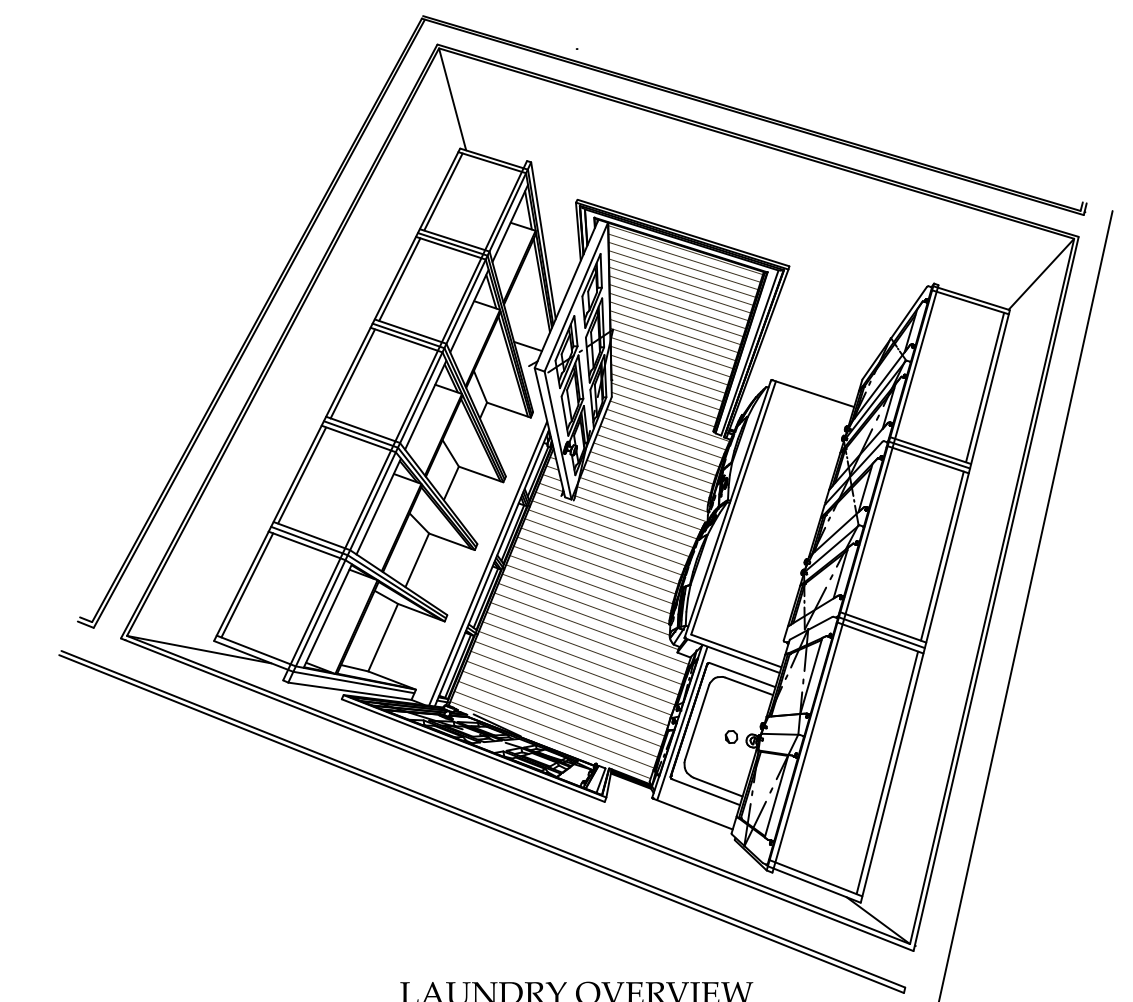
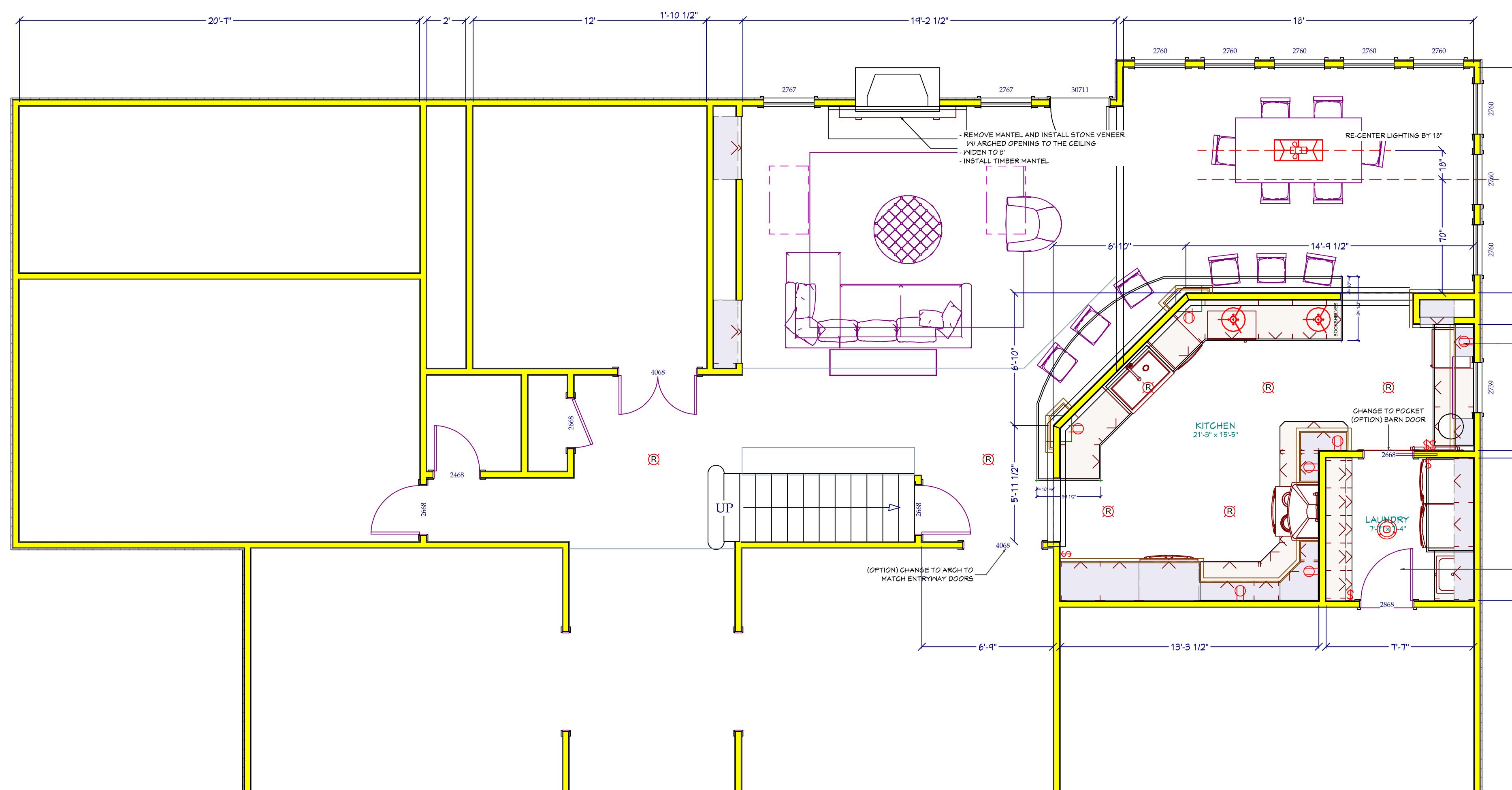


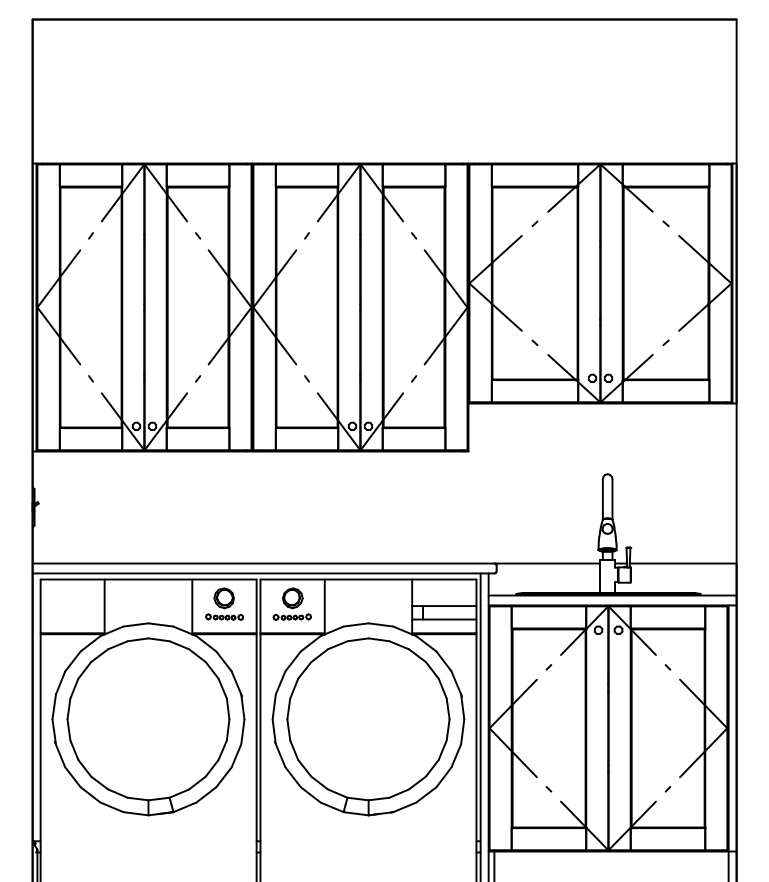
EXISTING/ DEMO PLAN



RENOVATED PLAN



LAUNDRY OVERVIEW



LAUNDRY ELEVATION

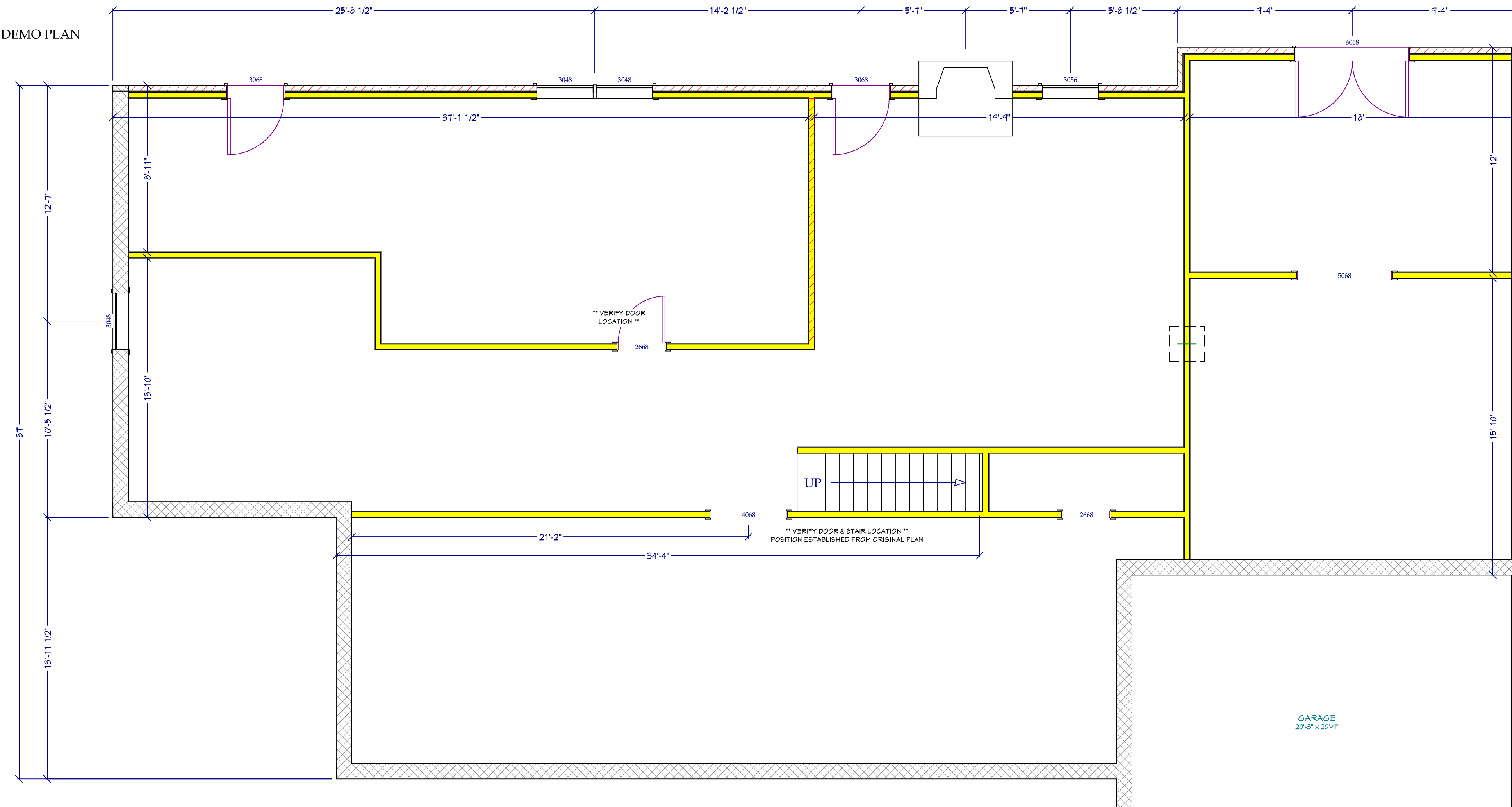
REMOVED THE DECK AREA AND CREATE A NEW KINET BAR AREA WITH SINK, BOTTLE STORAGE, GLASS DOORS AND WINE FRIDGE
 RECONFIGURE THE RECESSED BOOKSHELF SHELF WITH NEW OPEN CABINET STORAGE
 INSTALL STONE ON ALL 3 SIDES OF THE RECESSED STORAGE WALLS

KITCHEN NOTES:

- REMOVE CABINETS, COUNTERTOPS AND SOFFITS
- INSTALL NEW CABINETS IN COLOR AND FINISH TBD
- INSTALL NEW COUNTERTOPS IN HONEY FINISH
- REMOVE ANGLED WALLS AT THE BACK OF THE KITCHEN TO CREATE A NEW 'L' SHAPE
- REMOVE PANTRY CLOSET AND INSTALL NEW CABINETS
- INSTALL UNDERCABINET LIGHTING
- INSTALL POT FILERS AT THE STOVE
- PATCH AND REFINISH HARDWOODS IN PLACE

- REPLACE WASHER AND DRYER WITH CLIENT PROVIDED FRONT LOADING UNITS AND INSTALL A NEW COUNTERTOP ABOVE THEM
- INSTALL WALL AND BASE CABINETS IN THE LAUNDRY WITH A WASH SINK AND FAUCET
- REMOVE MUDROOM CLOSET AND WIDEN ROOM 11' TOWARDS THE KITCHEN
- INSTALL NEW BENCH GRUBBIES AND COAT HANGING AREA

EXISTING/ DEMO PLAN



RENOVATED PLAN

